



## TYPHOON500FRAS 500mm AIR FAN

The TYPHOON500FRAS 500mm FRAS pneumatic air fan is a lightweight air fan for use in underground coal mines, hard rock mines and construction sites. The fan can be used for ventilation purposes to either draw polluted air or gases away from an area or to ventilate with clean air.

The outer housing is constructed from **Fire Resistant Anti-static (FRAS) fiberglass**. The drive hub and guards are of a steel construction. The three blade impeller is made from FRAS polyurethane and has a unique double function of allowing the air supply to turn the blades, meaning that there is no actual motor, and it also creates the air flow of the fan.

The fan can be used as a stand alone unit or with ducting fitted over the outer housing. Two hanging points are provided so that the fan can easily be mounted with chain or straps from a roof.

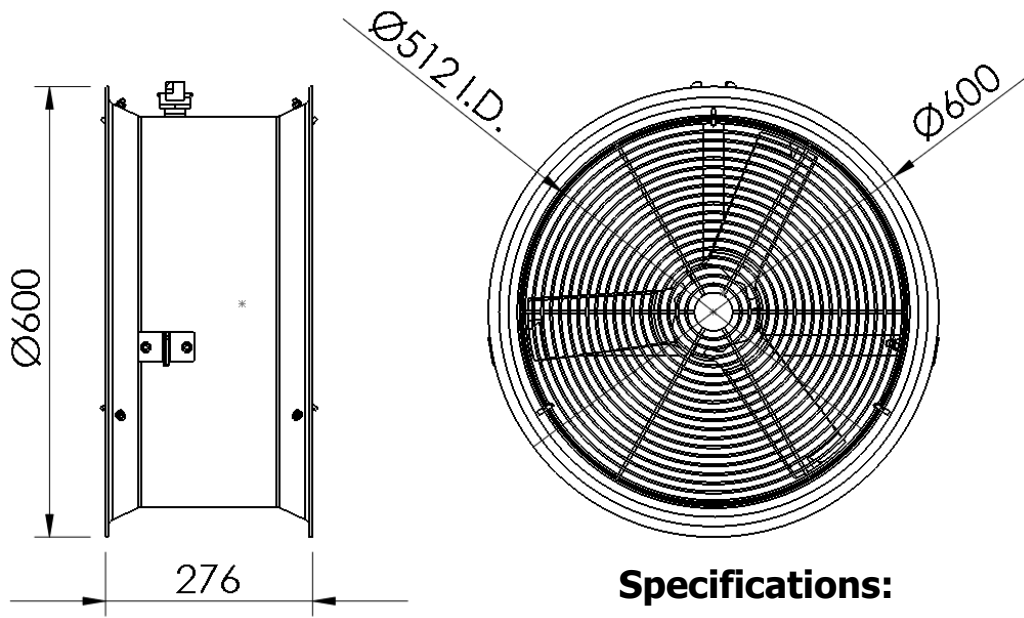
The air inlet is a standard Type A snap coupling style.

### Features:

- FRAS fiberglass cowling
- Lightweight
- 3 blade impeller
- Variable speed

### Applications:

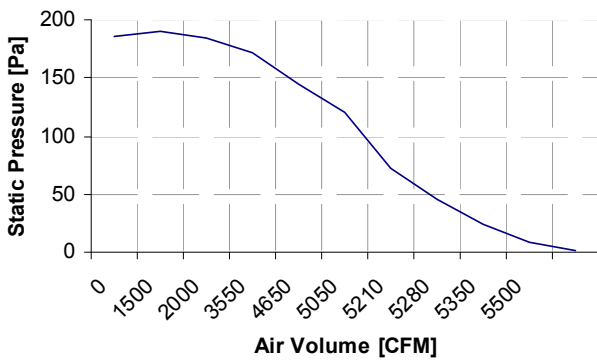
- Hard rock mines
- Coal mines
- Tunnels and shafts
- Sewers and manholes
- Refineries
- Tanks and ship's holds



**Typhoon 500mm Fan**

**Specifications:**

- ⊗ Weight: 12 kg
- ⊗ Overall length: 276 mm
- ⊗ Internal diameter: 512mm
- ⊗ External diameter: 600 mm
- ⊗ Impeller: 500 mm
- ⊗ Air consumption: 0.07 m<sup>3</sup>/sec
- ⊗ Fan discharge @ 650kpa: 2.4 m<sup>3</sup>/sec



**Typhoon 500mm Fan**

